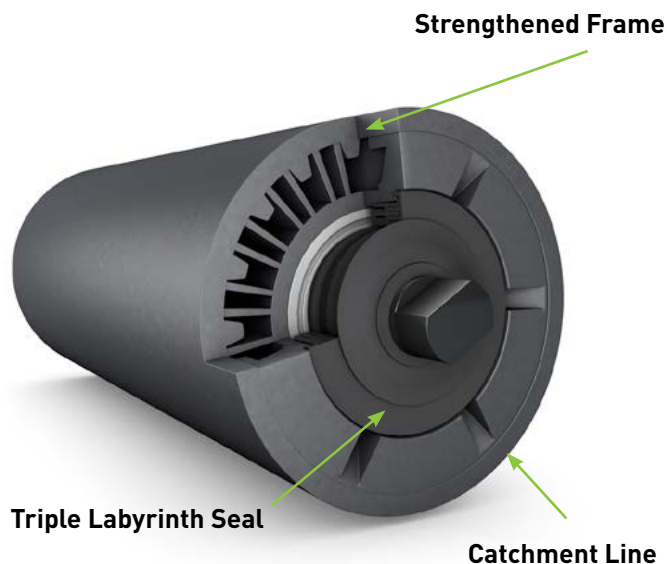


KING ROLLER™

The Energy-Saving Polymer Conveyor Roller

Our new generation of high density polyethylene (HDPE) roller is designed for the toughest applications. Due to its strengthened frame construction, **King Roller™** can replace heavy duty steel rollers. **King Roller's** self-cleaning surface greatly reduces the risk of buildup from carryback material - the main cause of belt tracking problems, material spillage, premature wear and failure of steel rollers.

In today's world of ever-rising energy costs, **King Roller's** lightweight yet robust design can help reduce belt tensions and power requirements - to keep your running costs down.



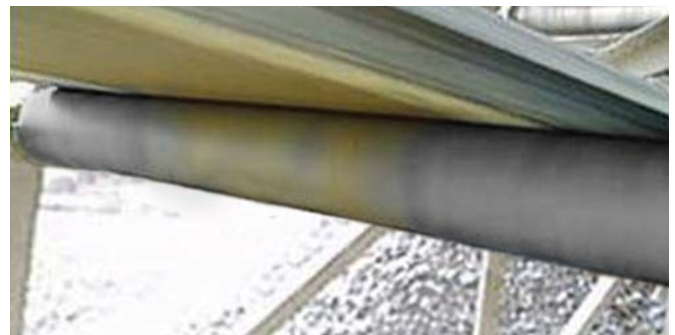
Carryback material buildup on a steel roller



ADVANTAGES OF KING ROLLER™

- ✓ **Patented roller design** - tough, abrasion-resistant HDPE strengthened frame for heavy loads
- ✓ **Self-cleaning (anti-static) surface** - reduces buildup on roller face, for low maintenance & improve belt tracking
- ✓ **Longer life** - less downtime: anti-corrosive HDPE & highly dust and waterproof triple labyrinth seal, means **King Roller™** is ideal for use in dusty, humid, alkaline & acidic environments, as it won't rust and moisture cannot reach its bearings
- ✓ **Damage free** - no rusted or sharp rotating edges to cut your belt, especially during high-speed operation
- ✓ **Energy saving** - up to 60% lighter than a steel roller, which means reduced belt tensions & up to 14% lower power consumption; silent running reduces noise pollution & HDPE roller tube can be recycled
- ✓ **Overband Magnets** - King Roller's polymer construction is unaffected by overband magnets
- ✓ **Health & Safety** - reduced risk of injury: lighter, safer and easier-to-fit & maintain (especially in difficult access and on long or suspended conveyors)

The difference is clear with **King Roller's** self-cleaning surface



LEARN MORE AT: WWW.KINGROLLER.CO.UK

Head Office & Production Centre
Smiley Monroe Ltd
23 Ferguson Drive
Knockmore Hill Industrial Park
Lisburn, BT28 2EX
Northern Ireland, United Kingdom

T. +44 (0) 28 9267 3777
E. sales@smileymonroe.com

SMILEY[®]
MONROE

CONVEYOR BELT EXPERTS

www.smileymonroe.com ISO 9001 OHSAS 18001

KING ROLLER™

The Energy-Saving Polymer Conveyor Roller

TROUGH ROLLERS

KEY:

- 1 HDPE roller tube
- 2 Shaft (mild steel/stainless steel)
- 3 Bearing loading set
- 4 Double cap bearing
- 5 Female labyrinth
- 6 Labyrinth seals
- 7 Male labyrinth
- 8 Sealing ring

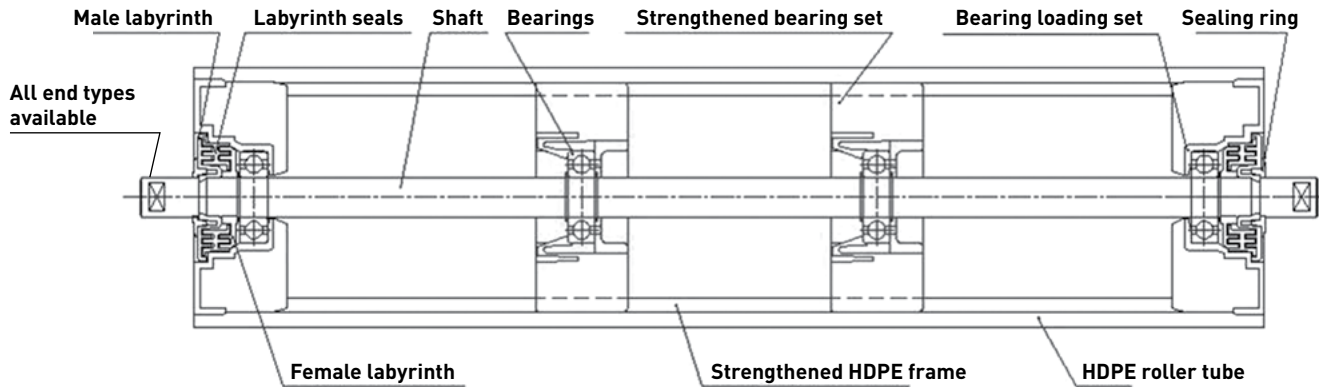
Available in CEMA Series C,D,E
in the following diameters (mm) and inches:

89	102	108	114	127	133	140	152	159	165
3.5"	4"			5"			6"		6.5"

RETURN ROLLERS

Available in CEMA Series C,D,E
in the following diameters (mm):

89	102	108	114	127	133	140	152	159	165
----	-----	-----	-----	-----	-----	-----	-----	-----	-----



END CAP OPTIONS

Your logo can be embossed on wing roller end caps - minimum order applies



BEARINGS

Various types of bearings available, including rust resistant NTN Type ZZ.

Available bearing sizes (mm):

20	25	30	35	40
----	----	----	----	----

Bearing size selection dependent on roller diameter and roller length

APPLICATIONS

- Mobile Plant OEMs
- Fertiliser/Potash
- Cement Works
- Ports
- Recycling
- Telescopic Conveyors
- Sugar beet
- Quarrying
- Coal Handling
- Salt Mining

ALSO AVAILABLE IN A FIRE RESISTANT MODEL

Head Office & Production Centre
Smiley Monroe Ltd
23 Ferguson Drive
Knockmore Hill Industrial Park
Lisburn, BT28 2EX
Northern Ireland, United Kingdom

T. +44 (0) 28 9267 3777
E. sales@smileymonroe.com



CONVEYOR BELT EXPERTS

www.smileymonroe.com ISO 9001 OHSAS 18001